

MODULAR HANDLING DEVICE

We create complete solutions for measuring, testing and Assembly systems from planning to production to assembly and commissioning.

Convince yourself of NMH -

Innovation is our world



The MODULAR HANDLING DEVICE

EXPERIENCE MODULARITY

- Realization of various applications
- Combination of individual assemblies
- Quick and inexpensive set-up

>> **Optimal ergonomics due to lightweight construction**

Use of high-strength aluminum
sophisticated geometries

>> **Compact pneumatic brakes**

high clamping force with low weight
can be attached to any axis

>> **Component protection by protectors**

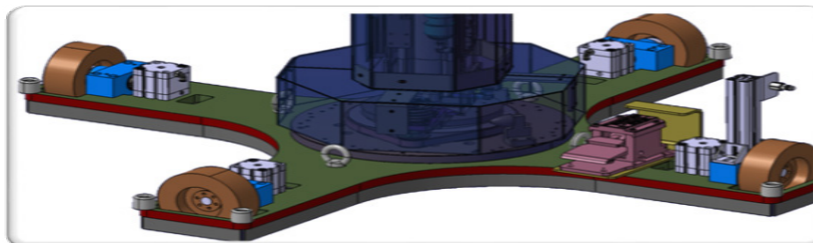
Protection of the entire device
Protection for surrounding devices
Avoidance of shear and crushing points

>> **Operator safety**

Optimized design of the pneumatic control
No danger to your employees even in the event of a
compressed air failure or hose rupture

>> **Technical characteristics**

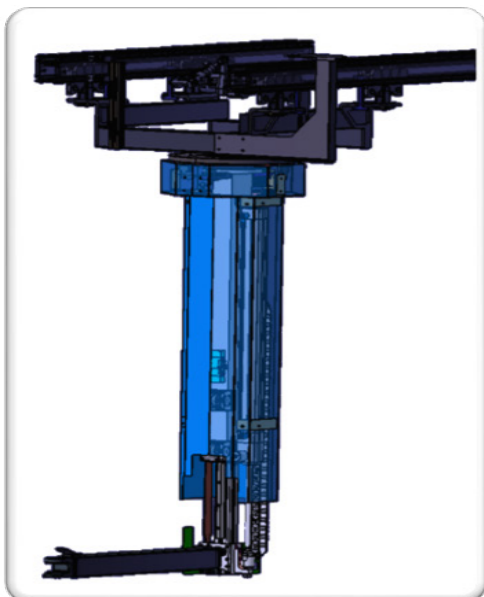
Handling weight max. 30 kg
Movement radius two meters



Floor trolley with omni wheels for easy handling in any direction



Lifting column with a lift up to one meter

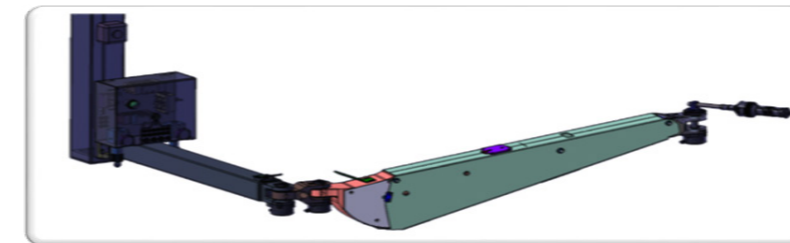


Telescopic lifting column with a stroke of up to one meter



Developed in collaboration with BMW

Trust creates innovation - In a close cooperation with our long-term customer BMW we have developed the MODULAR HANDLING DEVICE. Convince yourself of its advantages.



Smooth running balancer parallelogram

Freshly packaged from production –
the MODULAR HANDLING DEVICE
in practical application.



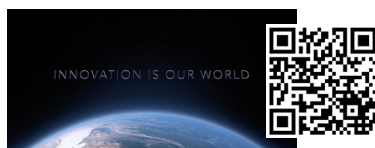
MORE THAN 3,400 CUSTOMERS
WORLDWIDE – INNOVATION IS
OUR WORLD



About NMH

NMH is one of the “hidden champions” for complex measuring, testing and assembly systems. The company employs around 100 employees at the Hohentengen location. NMH offers complete solutions – from the design to the final production, assembly and commissioning. Nearly all German premium automotive manufacturers and their suppliers are NMH customers.

Excerpt of references



Company film



NMH GmbH

Am Flugplatz 2 | D-88367 Hohentengen
Telephone +49 (7572) 7619-0
Fax +49 (7572) 7619-29
info@nmh.de | www.nmh.de

